

FULLY CONCEALED ADJUSTABLE DOOR STRAIGHTENERS



Door Adjusters are needed to avoid bending on both sliding and swinging doors. Sliding doors tend to bend in the first upper third, and hinged doors bend in the centre section. Until now these have only been available in a semi-recessed option, which brings the general appearance of your furniture down - something that all premium joinery must avoid!

This product allows you to fully conceal the straightener bar by morticing it into the door, covering it with a cap then veneering over it to give a seamless finish. All adjustments are done from either the top or bottom of the door via an allen key.

This door straightener is cuttable, meaning the bar can be trimmed up to 420mm from its original length.

FULLY CONCEALED ADJUSTABLE DOOR STRAIGHTENERS FOR DOORS FROM 18MM THICK

CODE	DESCRIPTION
ADS04150	Adjustable Door Straightener 1500mm - Fully Recessed
ADS04190	Adjustable Door Straightener 1900mm - Fully Recessed
ADS04230	Adjustable Door Straightener 2300mm - Fully Recessed
ADS04261	Adjustable Door Straightener 2610mm - Fully Recessed

01626 333900
swshardware.com
info@swshardware.com

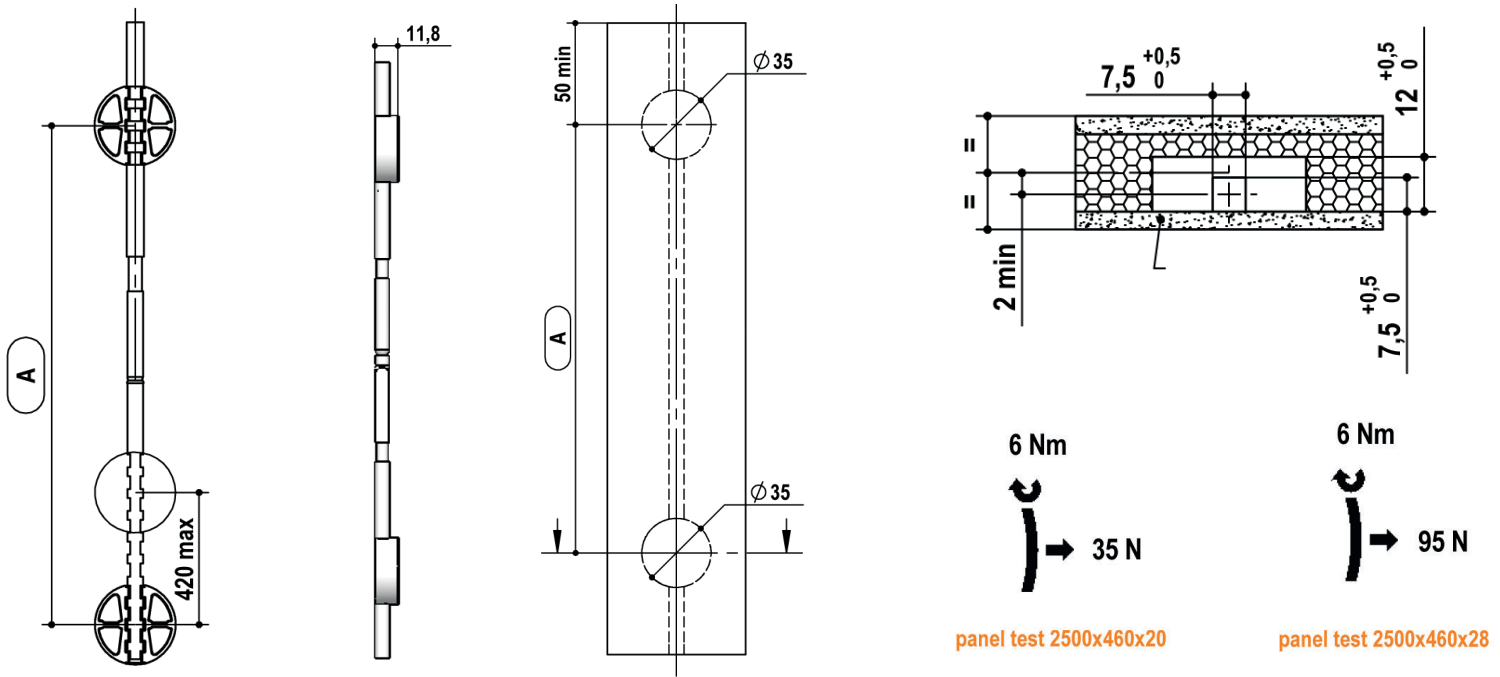
HARDWARE FOR PREMIUM INTERIORS



SWS
HARDWARE

All prices exclude VAT

ADJUSTABLE DOOR STRAIGHTENERS

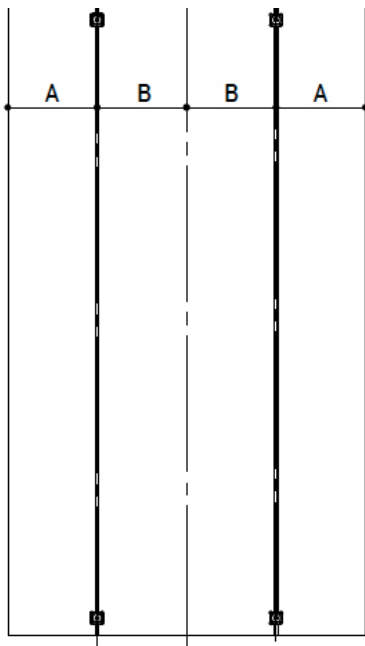


BAR POSITIONING

Flat Doors

When positioning divide the door in half, then set the straightener in the centre of each half. Door straighteners must be located with the same 'A' and 'B' values.

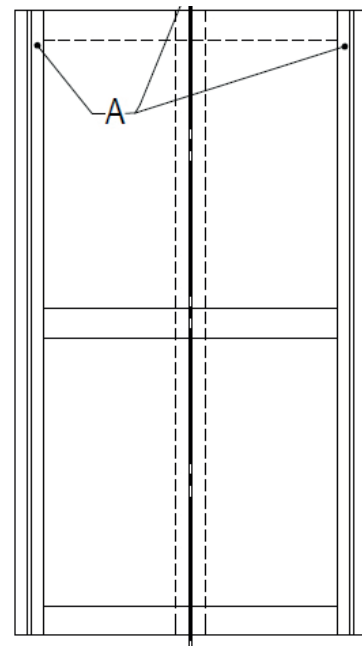
If the door is over 1200mm wide a 3rd straightener in the centre of the door is recommended.



Framed Doors

When positioning straighteners set them in the structural frame position 'A'

If the door is over 1200mm wide a 3rd straightener in the centre of the door is recommended.



01626 333900
swshardware.com
info@swshardware.com

HARDWARE FOR PREMIUM INTERIORS



SWS
 HARDWARE

All prices exclude VAT

ADJUSTABLE DOOR STRAIGHTENERS

BAR DIMENSIONS

ADS04150

Shortest Distance 1080mm c/c Longest Distance 1500mm c/c

ADS04190

Shortest Distance 1480mm c/c Longest Distance 1900mm c/c

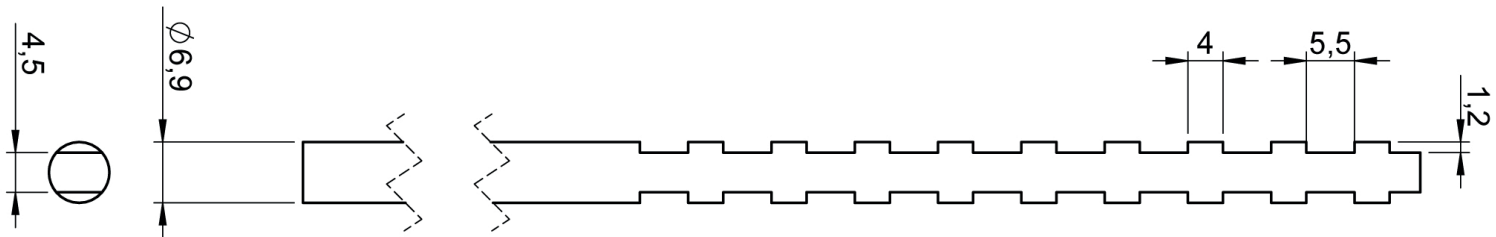
ADS04230

Shortest Distance 1843mm c/c Longest Distance 2303mm c/c

ADS04261

Shortest Distance 2158mm c/c Longest Distance 2615mm c/c

On all bars there are a total of 49 possible positions for the boss to be fitted.



CUTTING & ASSEMBLY PROCEEDURE

Use a Ø35mm cutter for the top and bottom boss.

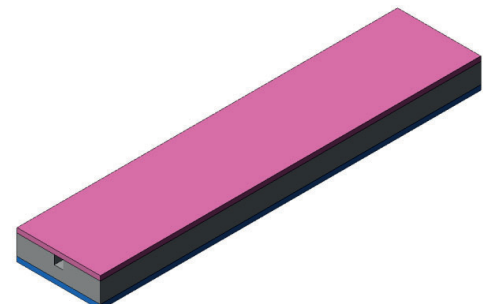
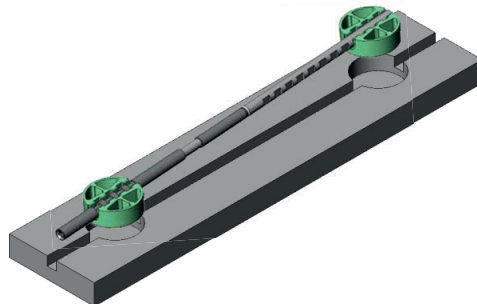
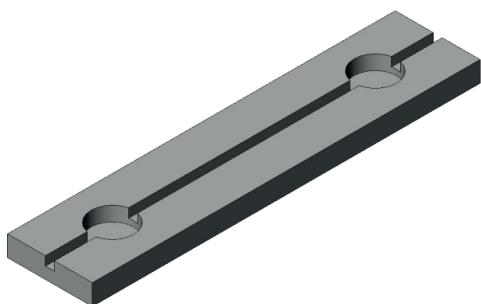
Make a groove 7.5 mm wide, by 10mm deep. Continue this groove to the end of the panel, at the end you want to make the adjustments.

Place the door straightener into the rebate.

There is 10mm of adjustment available, we recommend that you set the thread to half way before fitting.

Up to 420mm can be trimmed from the original length.

Finalise the panel, all adusments are made via an allen key.



01626 333900
swshardware.com
info@swshardware.com

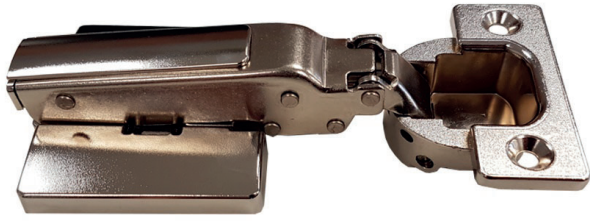
HARDWARE FOR PREMIUM INTERIORS



SWS
 HARDWARE

All prices exclude VAT

HEAVY DUTY CONCEALED HINGES



**DOORS UP TO 900MM
& 40KG IN WEIGHT
USING JUST 3 HINGES!**

DETAILS AT A GLANCE

- A concealed hinge for larger doors with a significantly increased load bearing capacity.
- Ideal for wardrobe doors up to 800mm wide and weighing up to 25kgs with just two hinges, and up to 900mm wide and weighing 40kgs with 3 hinges.
- Mounts into a 40mm hole.
- Only two hinges needed for 25kg door
- Only three hinges needed for 40kg door
- 3 Way Adjustment function by mounting plate (depth + 1.5mm / -2.5mm, vertical +/- 3.0mm, horizontal (overlay) + 0mm / -4.0mm.
- Snap on Mounting.

Find out more about these hinges online at: [swshardware.com/categories/heavy-duty-hinges](https://www.swshardware.com/categories/heavy-duty-hinges)

01626 333900
swshardware.com
info@swshardware.com

HARDWARE FOR PREMIUM INTERIORS



SWS
HARDWARE

All prices exclude VAT